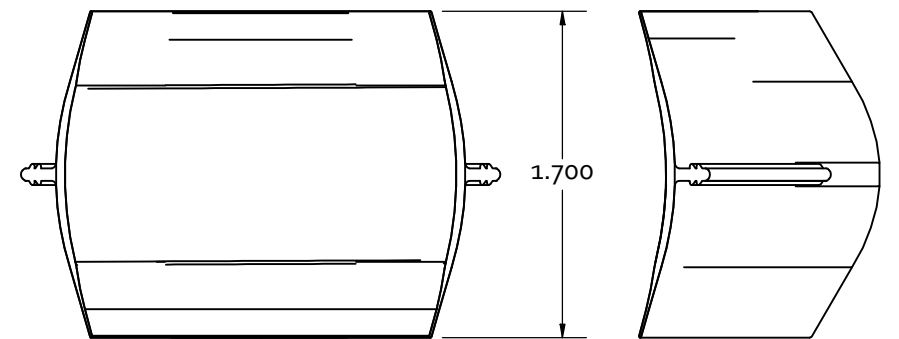
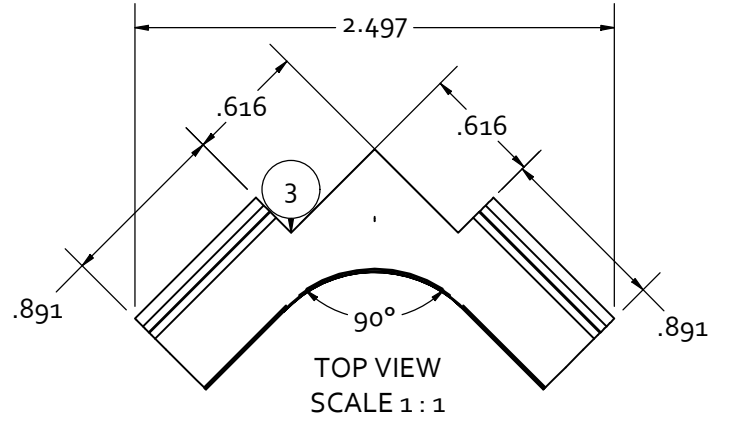
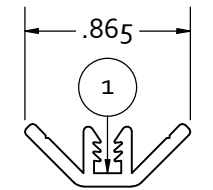
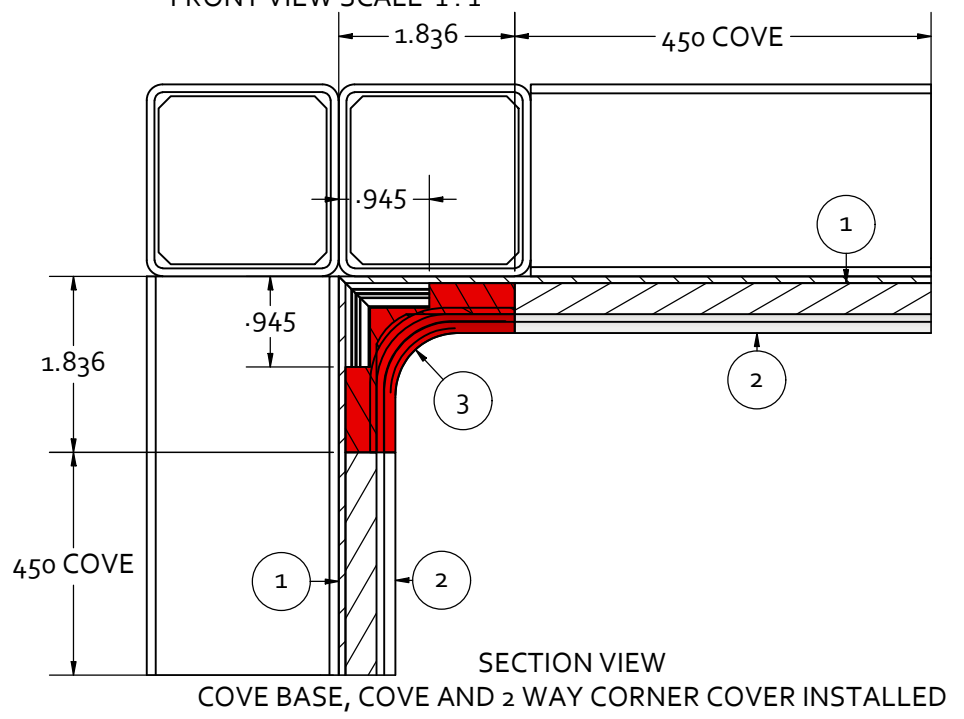
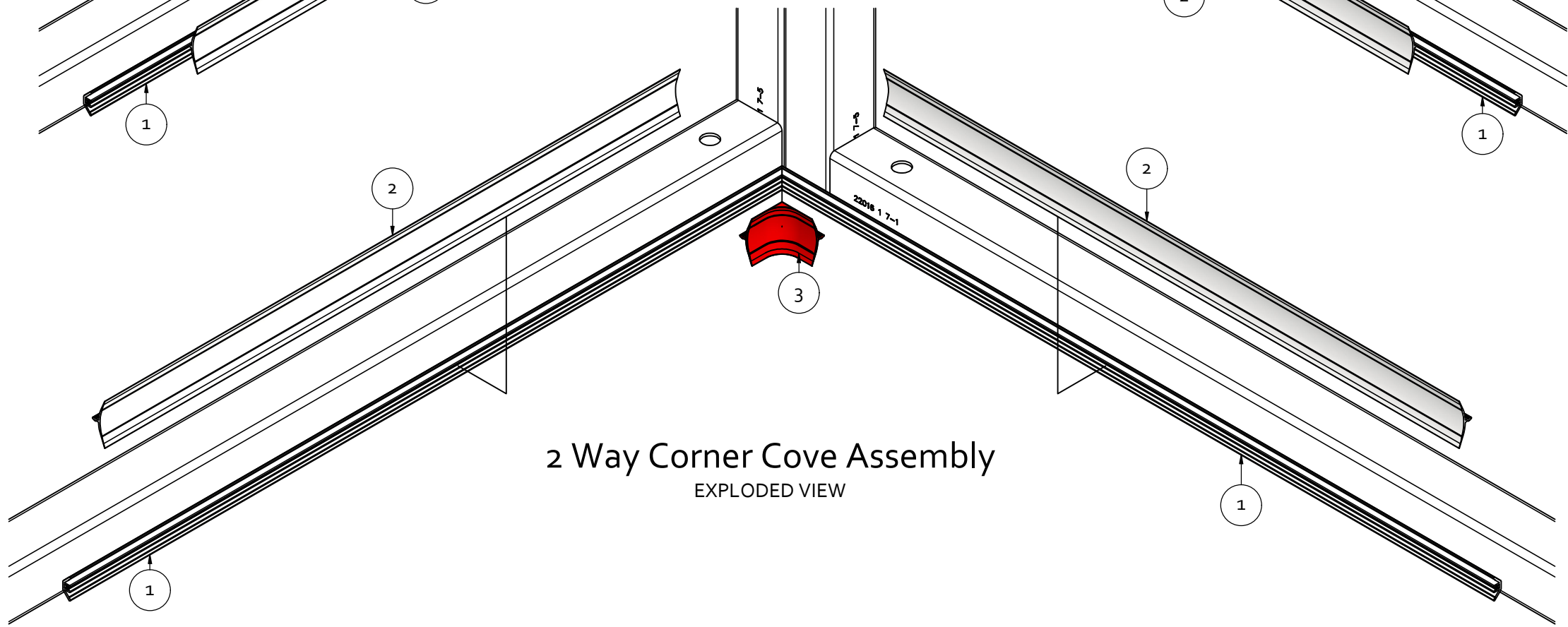
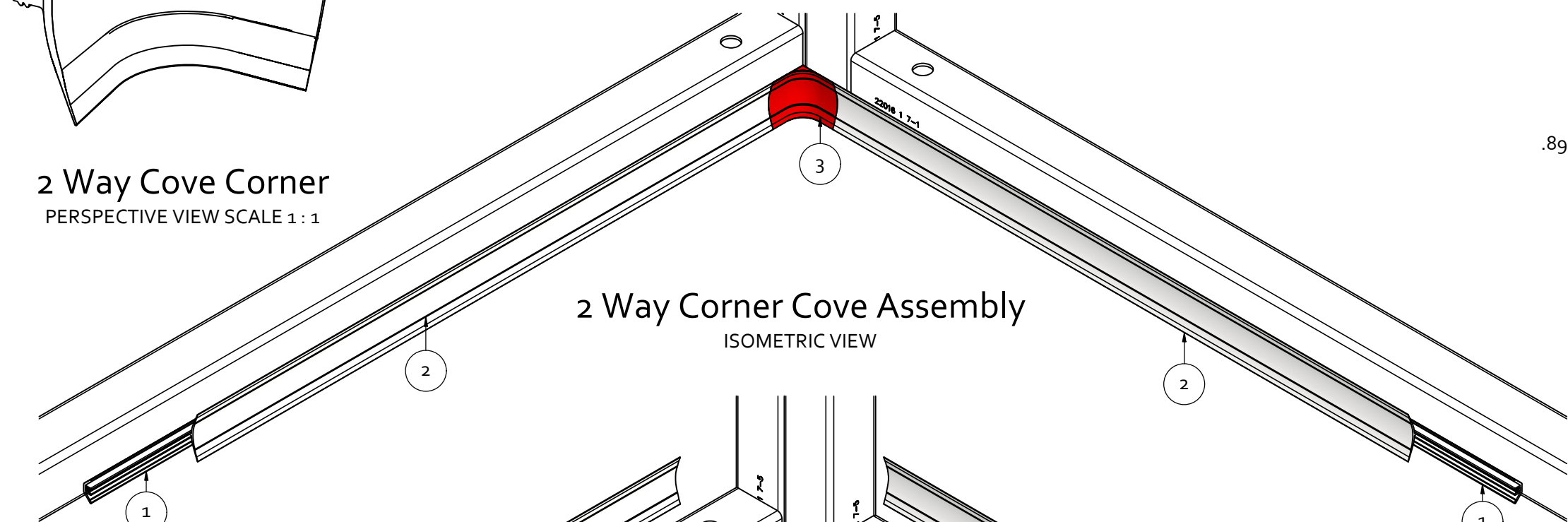


**2 Way Cove Corner**  
PERSPECTIVE VIEW SCALE 1:1

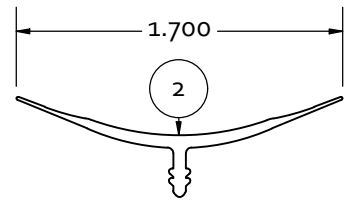
ITEM	DESCRIPTION	BASE QTY	BASE UNIT
1	449 Cove Base	1	Each
2	450 Cove	1	Each
3	2 Way Cove Corner	1	Each



**2 Way Cove Corner**  
FRONT VIEW SCALE 1:1  
SIDE VIEW SCALE 1:1



**449 Cove Base**  
FRONT VIEW SCALE 1:1



**450 Cove**  
FRONT VIEW SCALE 1:1

DRAWN	INJECTION MOLD - DIE DEV.			
PM	TITLE 2 WAY CORNER COVING			
DATE	SIZE B	SCALE 1/4	DRAWING NAME 2 Way Corner Cove Assembly.idw	REV 1
	SHEET SET	GEN DWG	SHEET 1 OF 1	